

MPB22 Series

22mm Metal Pushbutton Switches



SPECIFICATIONS

RATING : 1th 5A/250VAC resistive load 3A/250VAC
CONTACT RESISTANCE : 50 mΩ max. @ 1A 12VDC (initial value)
INSULATION RESISTANCE : 1,000 MΩ min. at 500VDC
DIELECTRIC STRENGTH : 2,000V RMS @ sea level
OPERATION TEMPERATURE : -20°C to 55°C
MECHANICAL LIFE : Momentary 1,000,000 cycles
 Self-lock 500,000 cycles
ELECTRICAL LIFE : 50,000 make-and-break cycles at full load
TORQUE : 5~14Nm
PANEL THICKNESS : 10mm (Ø22.20mm)
OPERATION PRESSURE : 1Pole 2.5±1N / 2Poles 3.5±1N
TRAVEL : About 3.2mm
INGRESS PROTECTION : IP67, IK10(Stainless)

MATERIALS

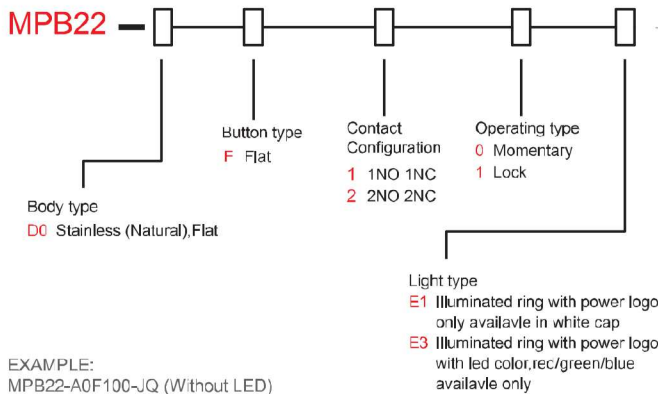
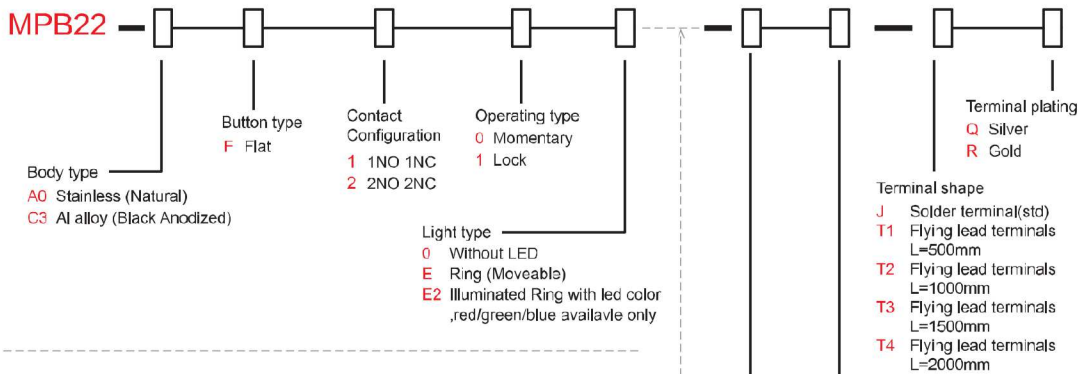
BUSHING : Stainless Steel / Aluminum alloy
BASE : PBT(UL 94-V0) , PC(UL 94-V2)
ACTUATOR : PC; Stainless Steel / Aluminum alloy
INNER ASSEMBLY : POM / PA66.
SPRING : Spring steel.
SEALING : Silicone.
O-Ring : Silicone.
TERMINAL : Brass, with silver or gold plated.
CONTACT :
 Q=Copper, Silver plated.
 R=Brass, Coin silver, Gold plated
HEX NUT : Nickel plated brass

MPB22 Pushbutton Switches

HOW TO ORDER



MODEL NO. BODY TYPE BUTTON TYPE CONTACT CONFIGURATION OPERATING TYPE LIGHT TYPE LED COLOR LED VOLTAGE TERMINAL SHAPE TERMINAL PLATING



LED Color	
ITEM NO	COLOR
0	Without LED
1	White
3	Red
5	Yellow
6	Green
7	Blue
DUAL COLOR LED	
A	Red&Green
B	Red&Blue
D	Blue&Yellow
G	Red&Yellow
H	Green&Yellow
J	Orange&Green

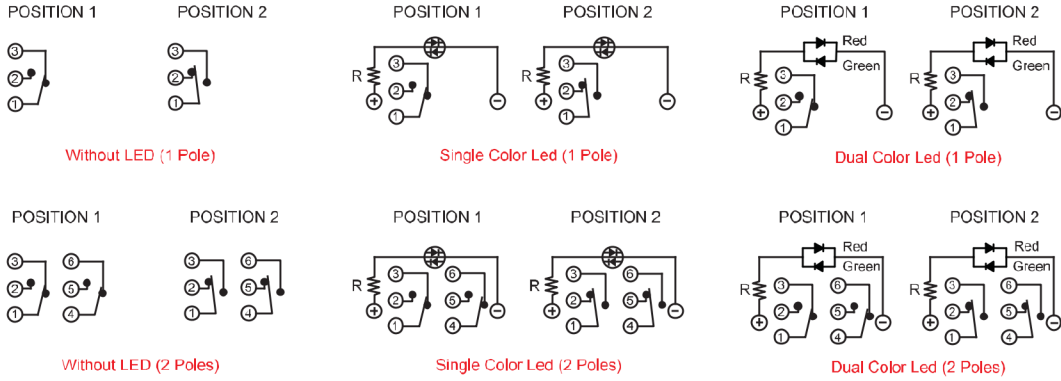
LED Voltage (20mA)	
ITEM NO	VOLTAGE
0	Without Resistor
3	3V
6	6V
12	12V
24	24V
36	36V
110	110V
220	220V

EXAMPLE:
 MPB22-A0F100-JQ (Without LED)
 MPB22-A0F10E- [] - [] - JQ
 LED color LED voltage

MPB22 Series

22mm Metal Pushbutton Switches

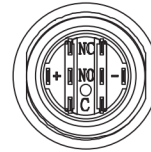
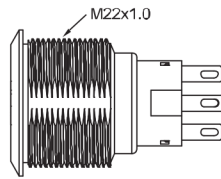
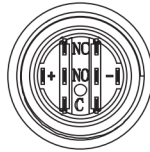
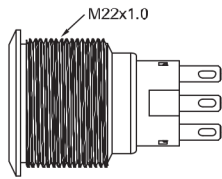
CIRCUIT



BODY TYPE

A0/C3 Body

D0 Body (Flat)

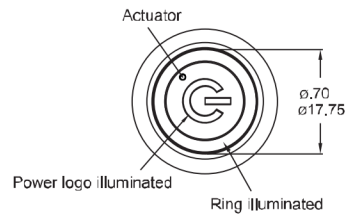
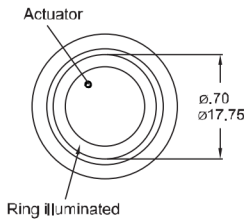
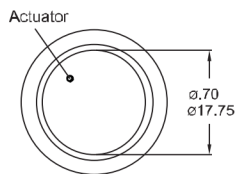


LIGHT TYPE

0 Without LED

E Ring (Moveable)

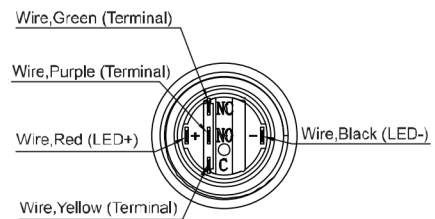
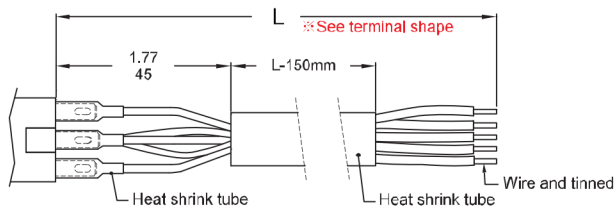
E3 Ring+Power logo



* Only for D0 body.

Wire (Flying lead Terminals)

※ Wire=UL 3385,18AWG,300V(Black/Yellow/Green/Red/Purple)



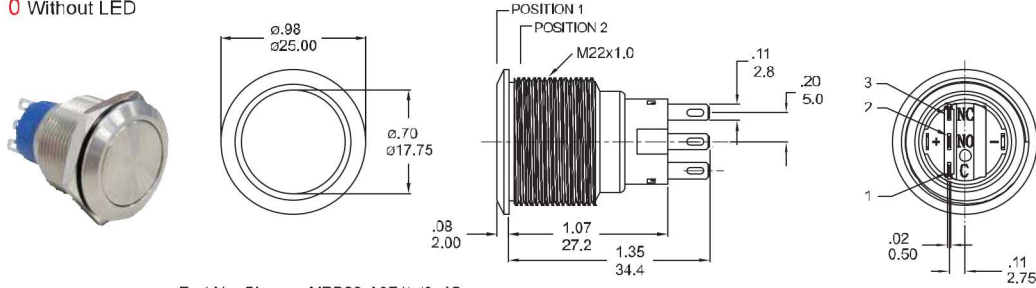
MPB22
Pushbutton Switches

MPB22 Series

22mm Metal Pushbutton Switches

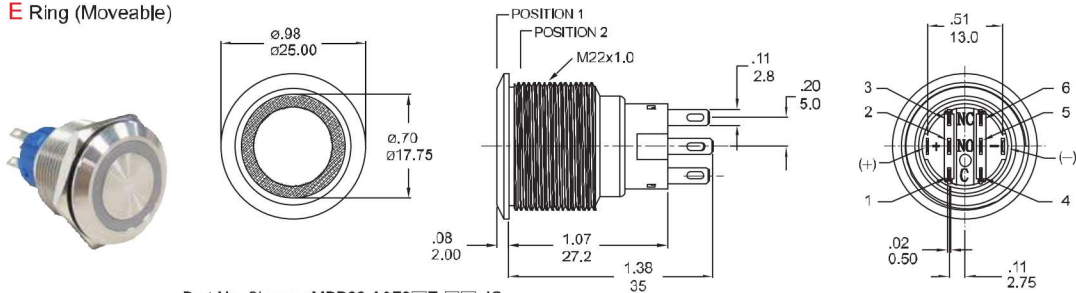
LIGHT TYPE

0 Without LED



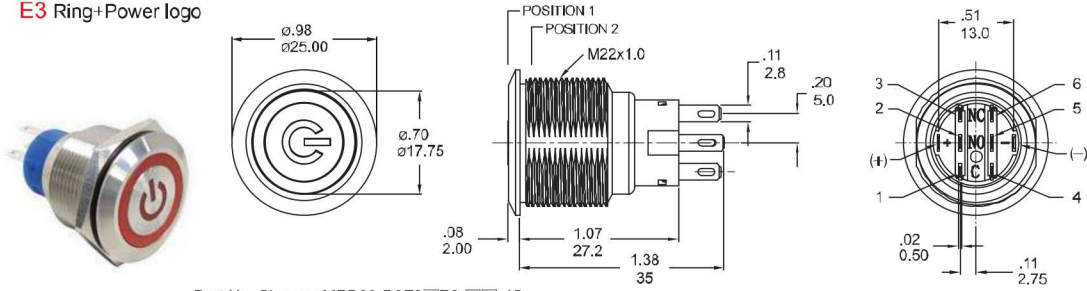
Part No. Shown : MPB22-A0F1□□0-JQ

E Ring (Moveable)



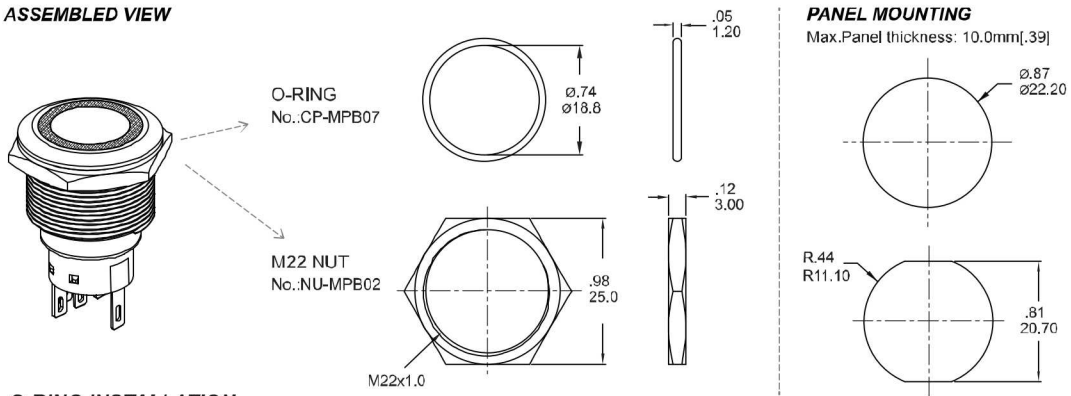
Part No. Shown : MPB22-A0F2□□E-□□-JQ

E3 Ring+Power logo

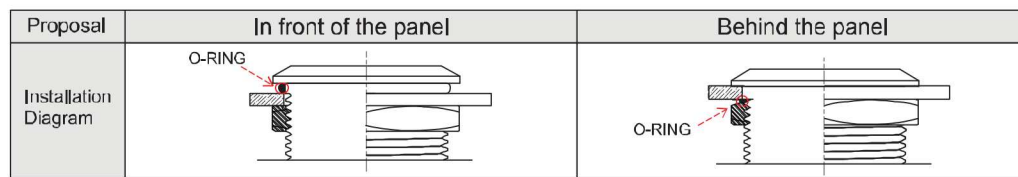


Part No. Shown : MPB22-D0F2□□E3-□□-JQ

ASSEMBLED VIEW



O-RING INSTALLATION



MPB22 Pushbutton Switches