

# MPB25 Series

## 25mm Metal Pushbutton Switches



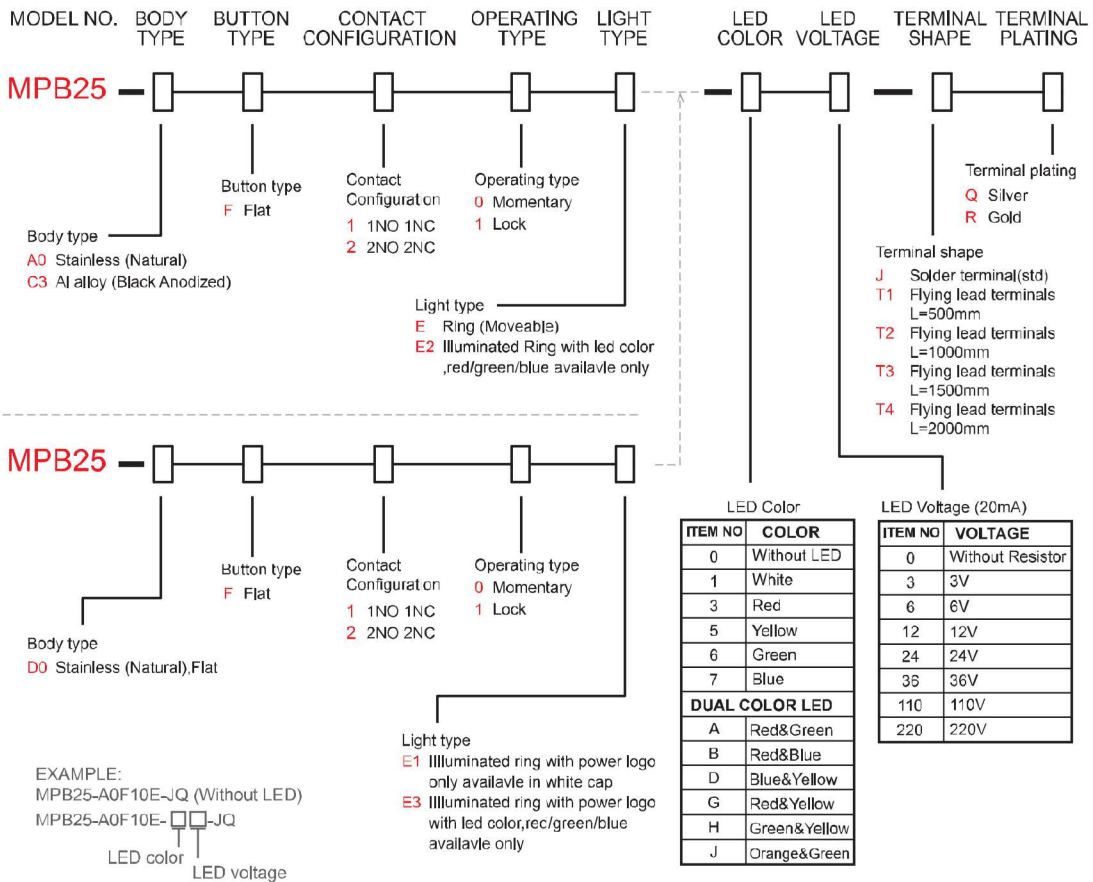
### SPECIFICATIONS

**RATING** : 1th 5A/250VAC resistive load 3A/250VAC  
**CONTACT RESISTANCE** : 50 mΩ max. @ 1A 12VDC (initial value)  
**INSULATION RESISTANCE** : 1,000 MΩ min. at 500VDC  
**DIELECTRIC STRENGTH** : 2,000V RMS @ sea level  
**OPERATION TEMPERATURE** : -20°C to 55°C  
**MECHANICAL LIFE** : Momentary 1,000,000 cycles  
 Self-lock 500,000 cycles  
**ELECTRICAL LIFE** : 50,000 make-and-break cycles at full load  
**TORQUE** : 5~14Nm  
**PANEL THICKNESS** : 10mm (Ø25.20mm)  
**OPERATION PRESSURE** : 1Pole 2.5±1N / 2Poles 3.5±1N  
**TRAVEL** : About 3.2mm  
**INGRESS PROTECTION** : IP67, IK08(Stainless)

### MATERIALS

**BUSHING** : Stainless Steel / Aluminum alloy  
**BASE** : PBT(UL 94-V0) , PC(UL 94-V2)  
**ACTUATOR** : PC; Stainless Steel / Aluminum alloy  
**INNER ASSEMBLY** : POM / PA66.  
**SPRING** : Spring steel.  
**SEALING** : Silicone.  
**O-Ring** : Silicone.  
**TERMINAL** : Brass, with silver or gold plated.  
**CONTACT** :  
 Q=Copper, Silver plated.  
 R=Brass, Coin silver, Gold plated  
**HEX NUT** : Nickel plated brass

### HOW TO ORDER

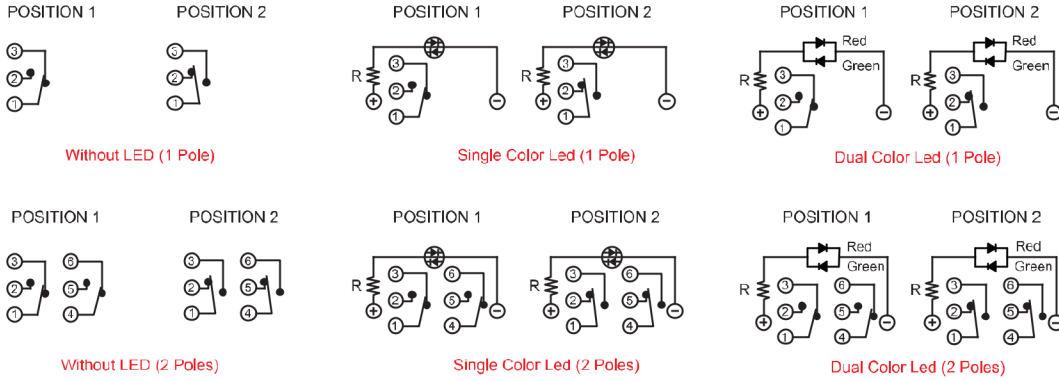


MPB25 Pushbutton Switches

# MPB25 Series

25mm Metal Pushbutton Switches

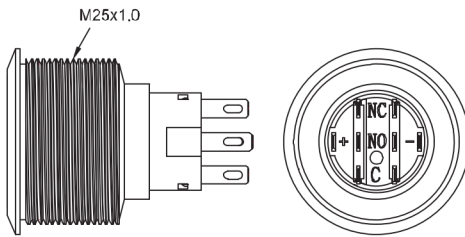
## CIRCUIT



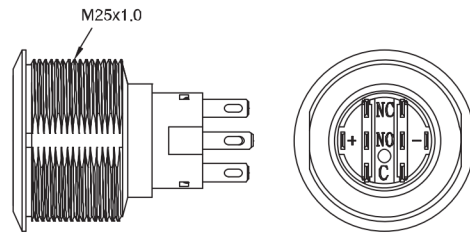
MPB25 Pushbutton Switches

## BODY TYPE

**A0/C3** Body

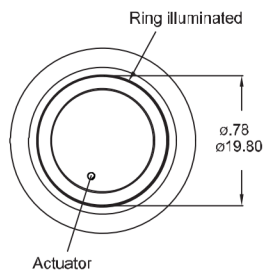


**D0** Body (Flat)

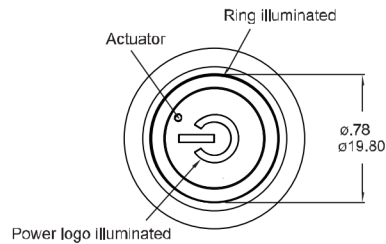


## LIGHT TYPE

**E** Ring (Moveable)



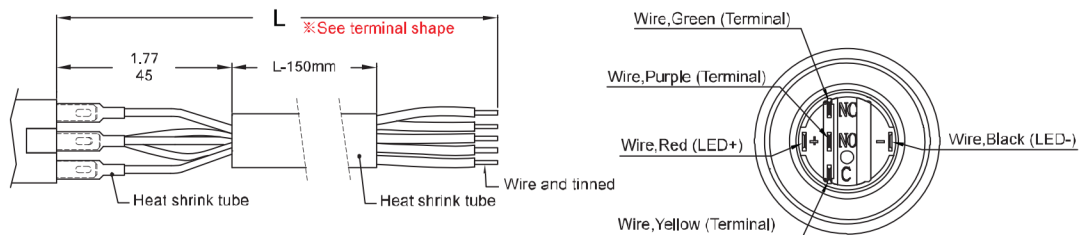
**E3** Ring+Power logo



\* Only for D0 body type.

**Wire** (Flying lead Terminals)

※ Wire=UL 3385, 18AWG, 300V(Black/Yellow/Green/Red/Purple)

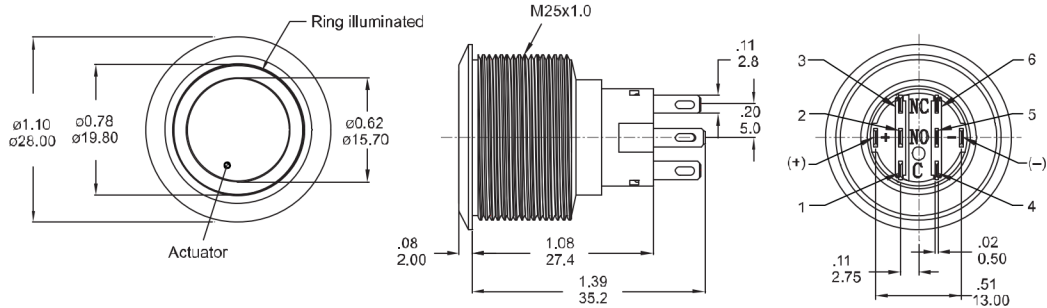


# MPB25 Series

25mm Metal Pushbutton Switches

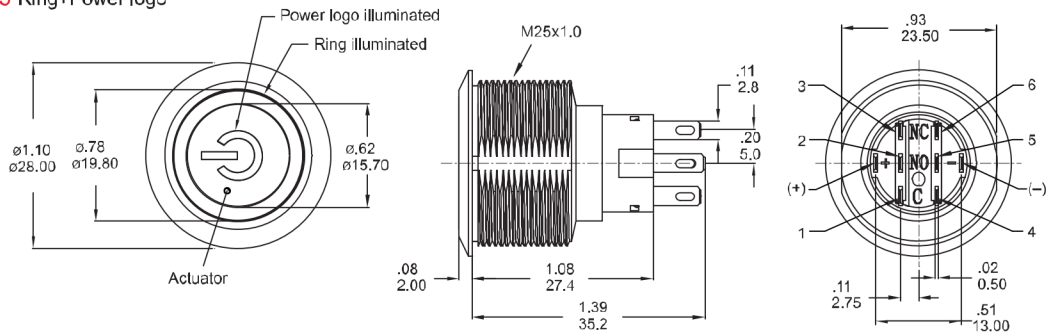
## LIGHT TYPE

### E Ring (Moveable)



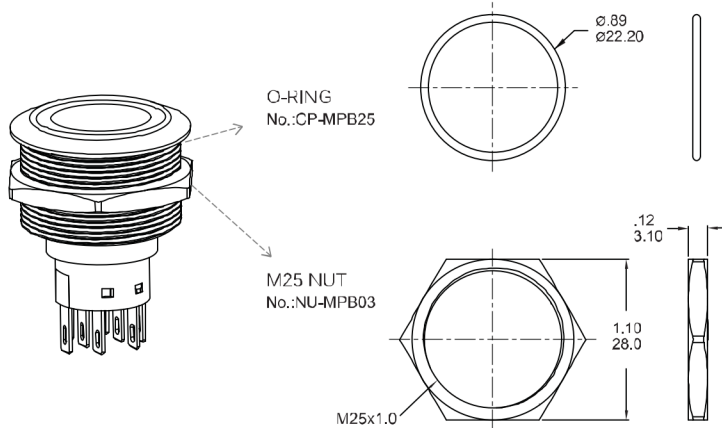
Part No. Shown : MPB25-A0F2□E□□-JQ

### E3 Ring+Power logo



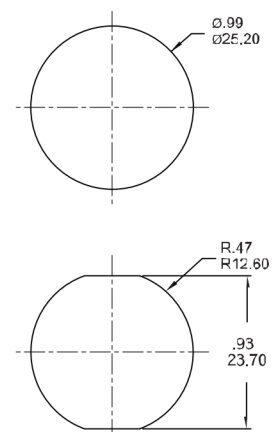
Part No. Shown : MPB25-D0F2□E3□□-JQ

### ASSEMBLED VIEW



### PANEL MOUNTING

Max. Panel thickness: 10.0mm[.39]



### O-RING INSTALLATION

Proposal	In front of the panel	Behind the panel
Installation Diagram		

**MPB25**  
Pushbutton Switches